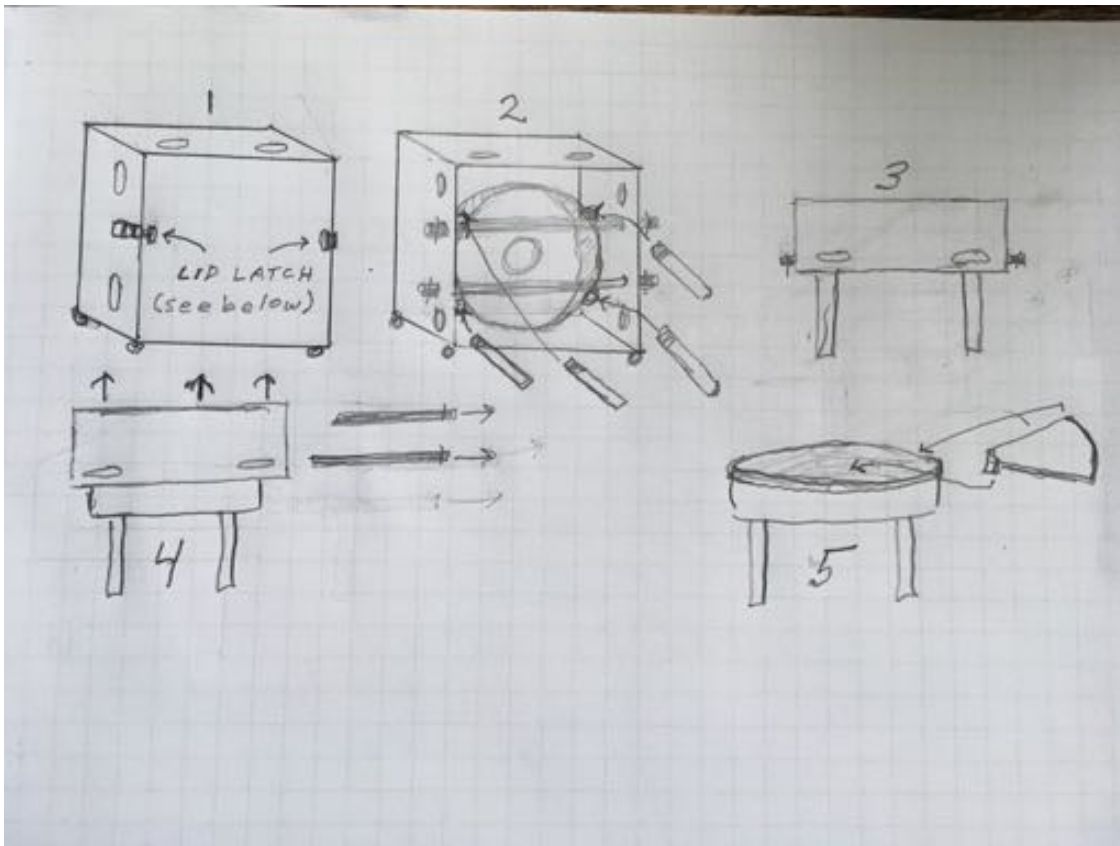


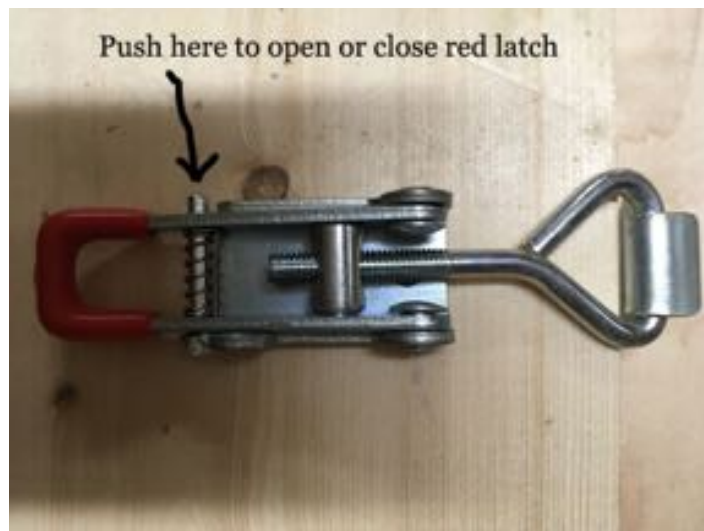
Piqua Kiwanis Grill Setup, Gas/Propane Hookup, Use & Care instructions

Setup



1. Unlatch lid (see latch below) and remove lid
2. Locate 4 pipe legs in box and thread into bottom corners of the grill.
3. Gently set grill upright while still in box. Will require 2 or more people.
4. Remove pins from one side of the two rods running through the box to remove box from grill.
5. OPTIONAL: Set tunnel cap on end of grill.

When finished, lean grill and let it cool, then reverse the above steps to return to box.



Gas/Propane Hookup

The grills have 3/8" pipe connections at the 1/4 turn shutoff valve. If a larger pipe size is required, use reducer couplings. For natural gas, the gas pressure should be approximately 4 ounces. The distribution pipe should be large enough to handle however many grills are used. A minimum of 1/2" line should be used for lengths of at least 10 feet. If a flexible gas connection is used, the proper size pipe fittings must also be used.

If propane (bottled) gas is used, a pressure regulator must be used. Also, safety considerations require that propane tanks remain outside of the building. A flexible gas line may be used to supply the gas to the grill. Tubing size should be 3/8" I.D. minimum. Common distribution pressure is 11 inches water pressure. Be sure that all threaded joints are tight. Use thread sealant or Teflon tape. **If Teflon tape is used do not overtighten.**

NOTE: GAS CONNECTIONS SHOULD BE DONE BY A LICENSED PLUMBER OR OTHER QUALIFIED INDIVIDUAL.

The gas is turned on and off with the 1/4 turn valve. When the handle is 90o to the pipe, the valve is off. When the handle is in line with the pipe, it is open. Adjust the flame by adjusting the valve. A low flame is all that is needed.

Adjustable gas orifice valves are between the line valves and the burners. This allows for either natural or propane gas to be used. To make adjustments, remove the brass end caps with an Allen wrench. This same tool is used to adjust the orifice screw inside the valve. To make proper adjustments, turn the screw all the way in (do not overtighten). For propane, unscrew about 1-1/2 turns open. Natural gas will require about 4 turns. Be sure to replace the end cap. NOTE: When connecting to natural gas with low pressure, it may be necessary to remove the adjusting needles to get sufficient gas flow. When doing so, make sure to reinstall the needles and replace the end caps.

The grill tops are rotated by a small motor gear and chain drive. This motor must be plugged into 115V. If power is not available, the grill can still be used to cook pancakes, but it will not rotate. Should something cause the motor to stall, it must be unplugged.

Use & Care

1. Use with the same care you would at home with an aluminum griddle or frying pan.
2. Before cooking, spray grill with PAM or similar nonstick cooking spray -- DO NOT use cooking oil.
3. **DO NOT OVERHEAT.**
4. Use a clean towel or cloth with a small amount of Pam/cooking spray
on it, wiping the grill surface clean occasionally.
5. Once finished, wash the cooking surface with soap and water to
remove any cooking residue. Wash and brush clean all non-cooking surfaces, being careful
not to scratch the surfaces.

BE SURE TO CLEAN THE GRILL WHEN YOU ARE FINISHED USING IT.

If the grill is overheating and the pancakes are getting too dark, turn down the gas.

***** Adding a bit of cooking oil to the pancake mix will help to keep the pancakes from sticking to the grill surface. *****